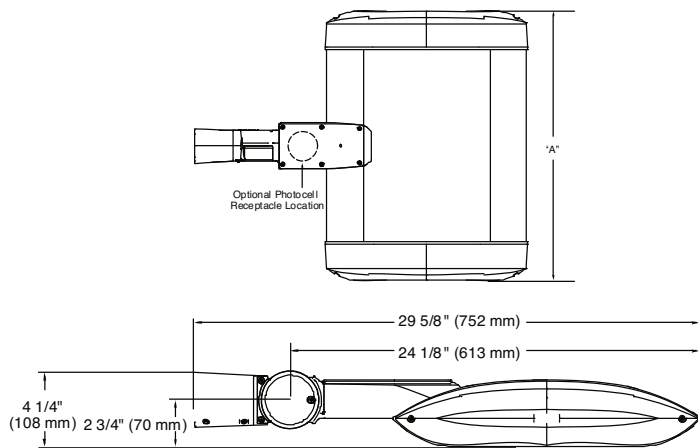


RUUD EDGE™ SQUARE LED AREA LIGHT (TYPE III)

BLD-ARE-T3-AA



FEATURES

Slim, low profile design minimizes wind load requirements. Fixture sides are rugged cast aluminum with integral, weather-tight LED driver compartments and high performance aluminum heatsinks. Adjustable mounting arm is rugged die cast aluminum and mounts to a 2" tenon. Includes leaf/debris guard. Five year limited warranty on fixture.

COLOUR OPTIONS

- SV

ELECTRICAL SPECIFICATIONS

Modular design accommodates varied lighting output from high brightness, white, 6000K (+/- 500k per full fixture), minimum 75 CRI, long life LED sources. 120-277V 50/60 Hz, Class 1 LED drivers are standard. 347-480V 50/60 Hz driver is optional. LED drivers have power factor >90% and THD <20% of full load.

FINISH

Exclusive Colorfast DeltaGuard® finish features an E-Coat epoxy primer with an ultra-durable silver powder topcoat, providing excellent resistance to corrosion, ultraviolet degradation and abrasion. Bronze, black, white and platinum bronze powder topcoats are also available. The finish is covered by our 10 year limited warranty.

OPTIONS (factory-installed)

EM	Emergency
F	Fuse
HL	Hi/Low (175/350/525, dual circuit input)
P	Photocell
R	NEMA Photocell Receptacle
TL	2-Level (175/525 w/ integrated sensor control)
TL1	2-Level (350/700 w/ integrated sensor control)
TL2	2-Level (0/350 w/ integrated sensor control)
TL3	2-Level (0/525 w/ integrated sensor control)
TL4	2-Level (0/700 w/ integrated sensor control)
35K	3500k Color Temperature
43K	4300k Color Temperature
525	525mA Drive Current

LABELS

UL listed in the U.S. and Canada for wet locations and enclosure classified IP66 per IEC 529. Fixture also available with CE listing. RoHS compliant.

PATENTS

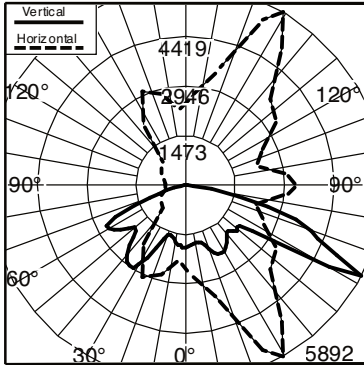
US Pat. D576,330; EC000693924; AU314711; NZ408891; MX25801, CA Pat. Pend. German 20 2007 013 623.4. US and international patents pending. Design patents/regs. granted and pending.

ACCESSORIES (field-installed)

XA-BRDSPK Bird Spikes

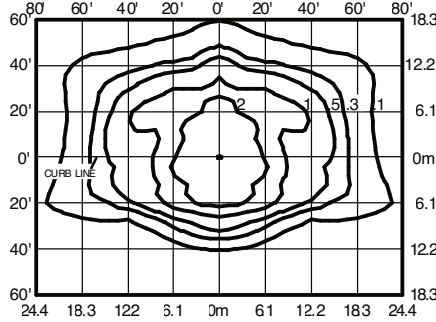


ISOFOOTCANDLE PLOTS

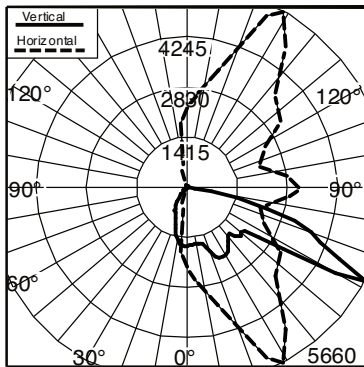


Candlepower distribution curve of 6 light bar luminaire with 9,360 initial delivered lumens operating at 350mA.

Independent Testing Laboratories. Certified Test Report No. IFL 61147.

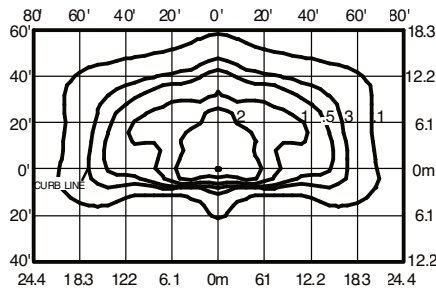


Isofootcandle plot of 6 light bar Type III LED luminaire at 20' A.F.G. Luminaire with 10,500 initial delivered lumens operating at 350mA. Initial FC at grade.



Candlepower distribution curve of 6 light bar luminaire with backlight shield and 6,960 initial delivered lumens operating at 350mA.

Independent Testing Laboratories. Certified Test Report No. IFL 61148.



Isofootcandle plot of 6 light bar Type III LED luminaire with backlight shield at 20' A.F.G. Luminaire with 6,960 initial delivered lumens operating at 350mA. Initial FC at grade.

LED AREA LIGHT EPA CALCULATIONS

	LIGHT BARS											
	1	2	3	4	5	6	7	8	9	10	11	12
Adj Fitter Mount 0 deg												
1 fixture		0.66	0.66	0.66	0.66	0.66	0.66	0.66	0.66	0.66	0.70	0.74
2 fixtures (180°)		1.31	1.31	1.31	1.31	1.31	1.31	1.31	1.31	1.31	1.39	1.48
2 fixtures (90°)		0.98	1.02	1.07	1.11	1.15	1.19	1.23	1.27	1.31	n/a	n/a
3 fixtures (90°)		1.64	1.68	1.72	1.76	1.80	1.84	1.89	1.93	1.97	n/a	n/a
4 fixtures (90°)		1.97	2.05	2.13	2.21	2.29	2.38	2.46	2.54	2.62	n/a	n/a