

---

# Auditoriums & Theatres

LED Lighting Solutions for Auditoriums & Theatres

---

**A WELL LIT  
PASSION**

---

## **VISION**

Monduluce's vision is to provide quality, reliability and value through products and services we offer to all our clients. We share the passion to make light work with those who understand the significant role lighting plays in our built environment from an aesthetic, creative, innovative, sustainable and functional perspective. We strive to nurture long standing professional working relationships and in the process to be the best and most respected lighting provider.

## **LIGHTING APPLICATION AND DESIGN**

Our product and technical support commences from the initial concept and design stage through to commissioning, installation and troubleshooting.

The seamless transition of service provision throughout the various stages of our supply process is a key feature of our business.



---

## **THEATRE LIGHTING IN WESTERN AUSTRALIA**

Over the years a majority of auditoriums and theatres across Western Australia utilise incandescent or halogen lamps throughout their lobbies, function areas and the main performance areas. This is mainly due to the age of the theatre and the lighting and dimming technology available at the time. The evolution and progression to LED as a light source, for this application offers substantial energy and maintenance costs savings. However due to the complexity of dimming LED prohibits the upgrade on the existing dimming system. An LED lighting upgrade would also require the existing "phase cut" dimming system to be replaced and this will mean additional wiring and hardware, and result in a very costly exercise and render the total upgrade uneconomical.

LED light fittings require a remote driver that is paired to the LED Chip to drive it in its most efficient manner. The simple "Phase Cut" dimming system used on incandescent and halogen lamps, will not work effectively on standard LED drivers. Monduluce collaborated with Lumitech to develop a system (LED Down Light and Electronic Ballast) to overcome this issue.



**MONDOLUCE - XICATO MODULE  
LED DOWN LIGHTS**

A range of LED downlights utilising the latest technology from Xicato in "High Colour Rendition" LED modules provide a lighting effect most suited to replacing existing halogen installations. Mondoluce has a range of low glare reflector system that delivers excellent efficiencies to provide a lighting system to match or better the old technology Halogen system, with the added benefits of low maintenance, energy efficiency and long lamp life. Mondoluce has a wide range of wattages and beam distributions to suit all applications within many areas of auditoriums and theatres. This now enables the upgrade of auditorium and theatre lighting to an LED light source while maintaining existing dimming system within the auditorium and theatre.

This not only makes the lighting upgrade affordable, it also reduces your energy consumption and maintenance costs resulting in a very fast "payback" period.

**LUMITECH - TAUREN ELECTRONIC BALLAST**

Electronic engineers at Lumitech invested 18 months of research and development to perfect a Hybrid Electronic Ballast that will drive the Mondoluce's range of LED downlights with full capability to smooth dimming on a "Phase Cut" Leading Edge dimming system. The Tauren E-B Electronic Ballast is "tuned" to the requirements of the LED downlight to provide maximum performance and energy efficiency. The Ballast has been certified with C Tick approval in accordance with Australian Standards.



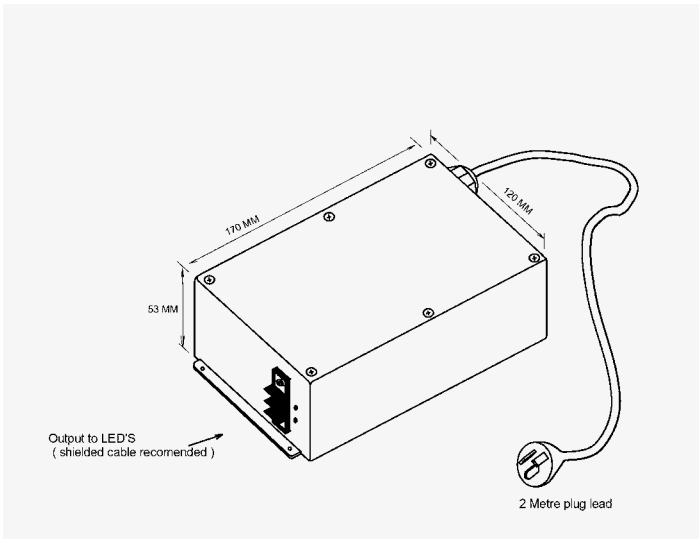
Electrical Specifications* :	
INPUT:	240 V 50 Hz leading edge TRIAC dimmed
OUTPUT:	72V DC/OCV 350 - 1000Ma (Output Voltage = LED FVD In Use)
MAX PWR:	50 Watts
	Internal 1A Mains fuse earthed chassis

\*Three variations of wattages available

**WHAT DOES THIS ALL MEAN?**

This now means that you can upgrade your theatre lighting to an LED light source while maintaining existing dimming system. This not only makes the lighting upgrade affordable, it also reduces your energy consumption and maintenance costs resulting in a very fast "payback" period.

To find out more or register your interest in an LED upgrade proposal, please contact Mondoluce.



+61 8 9321 0101  
mondoluce.com.au  
mondoluce.perth

10 Weir Road  
Malaga Perth  
WA 6090

A FULL SPECTRUM OF LIGHTING  
SOLUTIONS FOR A DIVERSE  
RANGE OF APPLICATIONS



FEATURED PROJECT  
HALE SCHOOL



FEATURED PROJECT  
UWA OCTAGON